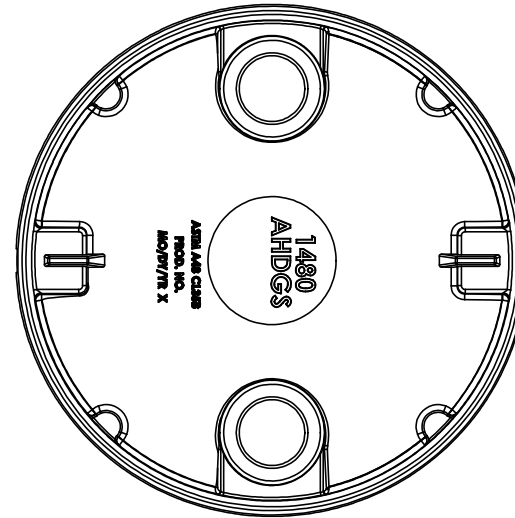
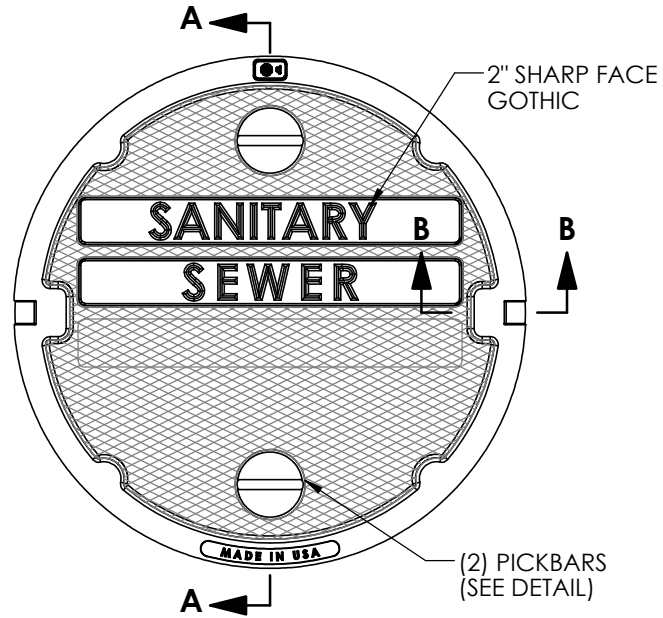
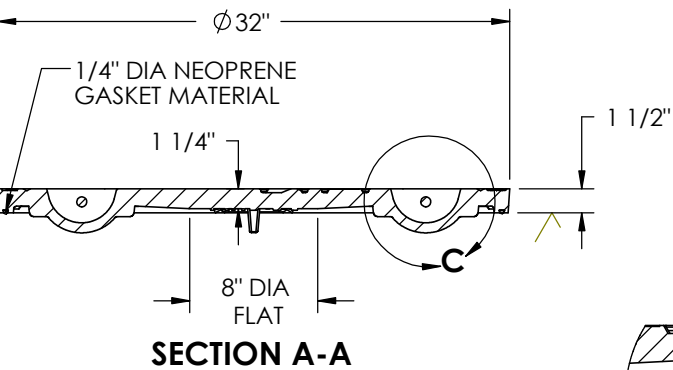


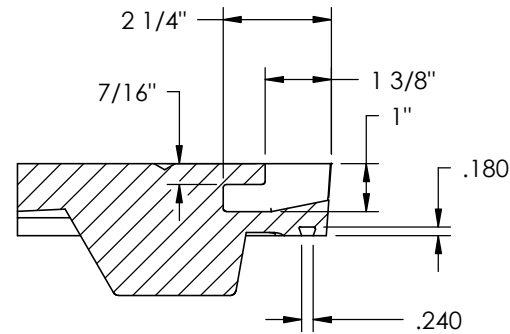
1480AGS Cover



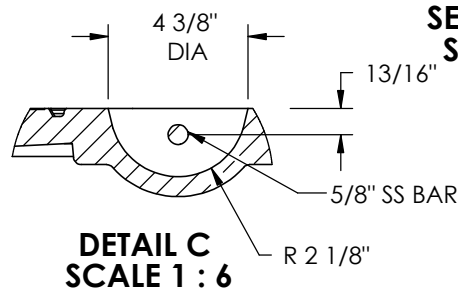
BOTTOM VIEW



SECTION A-A



**SECTION B-B
SCALE 1 : 4**



**DETAIL C
SCALE 1 : 6**

Product Number

00147958

Design Features

- Materials
Gray Iron (CL35B)
- Design Load
Heavy Duty
- Open Area
n/a
- Coating
Undipped
- √ Designates Machined Surface

Weight

-237lbs

Certification

- ASTM A48
-
- Country of Origin: USA

Drawing Revision

5/5/2010 Designer: JIJ
7/10/2014 Revised By: DAE

Disclaimer

Weights (lbs/kg), dimensions (inches/mm) and drawings provided for your guidance. We reserve the right to modify specifications without prior notice.

CONFIDENTIAL: This drawing is the property of EJ Group, Inc. and embodies confidential information, registered marks, patents, trade secret information, and/or know how that is the property of EJ Group, Inc. Copyright © 2012 EJ Group, Inc. All rights reserved.

Contact

800 626 4653
ejco.com